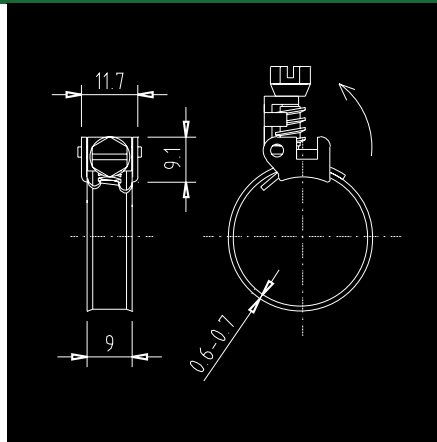


serratub



Serratub Clamps

Serratub is the brand name not only for a wide range of hose clamps, especially for the building and gardening sector, but also for general purpose fastening clamps. As a brand name, Serratub was first introduced in 1961. It was the name of a unique quick-lock clamp with a special hinged head housing.

Serratub 1

The Serratub I range of clamps features the unique quick-lock hinged housing for rapid assembling to the hose. The flexible and perforated band is made of stainless steel in 9 or 12 mm band widths. Band edges are rolled up for improved hose setting.

Serratub 1/W2B: Screw and housing: Electro zinc plated and yellow chromated. Band: AISI 430.

Serratub 1/W4: All parts in AISI 304 - to be quoted on request.

Band width 9 mm

Ø mm	Rec tightening torque Nm
9-17	3
14-24	
18-30	
24-36	
24-44	
32-52	4
40-60	
47-67	
62-82	
77-97*	

Band width 12 mm

Ø mm	Rec tightening torque Nm
14-22	5
20-30	
24-36	
24-44	
32-52	7
40-60	
47-67	
62-82	
77-97	
107-127	7
50-215	
50-325	

* For larger sizes please see Maxi 1 on page 4.
See Screwdriver on page 5.

Serratub C

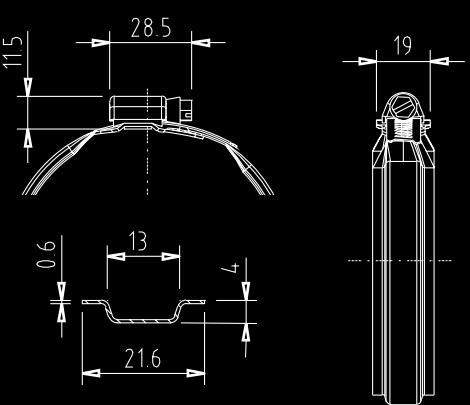
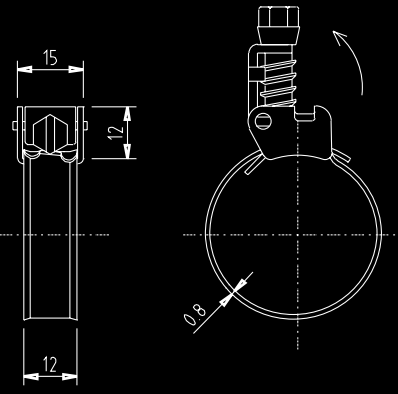
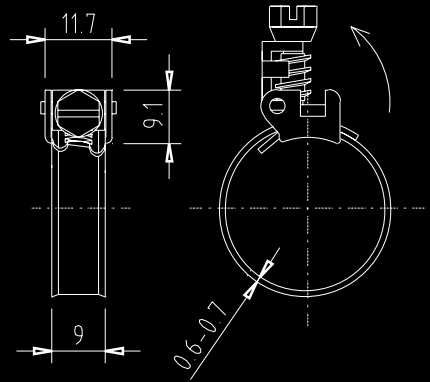
A newly designed profiled clamp to connect ventilation and chimney pipes. The system solution for building purposes. Easy to assemble, all parts in high grade stainless steel.

A standard range of profiles and sizes are developed in order to offer cost-efficient clamping solutions. Other profiles can be made to order.

Serratub C/W4:
Screw, housing and band: AISI 304.

Ø mm	Rec tightening torque Nm
80	5
100	
110	
113	
120	
130	
140	
150	
154	
160	
180	
200	
250	
300	
400	
500	

Screwdriver available.



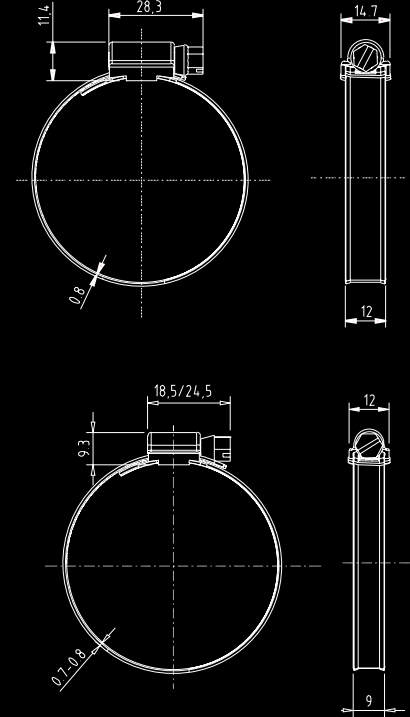
Serratub M

Wormdrive clamps with perforated band in economy range for general fastening purposes. Available in 9 and 12 mm band widths.

Serratub M/W1: Screw, housing and band: Electro zinc plated.

Band width 9 mm		Band width 12 mm	
Ø mm	Rec tightening torque Nm	Ø mm	Rec tightening torque Nm
8-12	3	16-27	5
10-16		23-35	
12-22		30-45	
16-27		32-50	
23-35		40-60	
30-45		50-70	
32-50	4	60-80	6-7
40-60		70-90	
50-70		80-100	
60-80		90-110	
70-90		100-120	
80-100		110-130	
90-110		120-140	
100-120		130-150	
110-130		140-160	
120-140		150-170	
130-150		160-180	
		170-190	
		180-200	

See Screwdriver on page 5.



Micro

The Micro is our smallest wormgear clamp. The bandwidth is 5 mm.

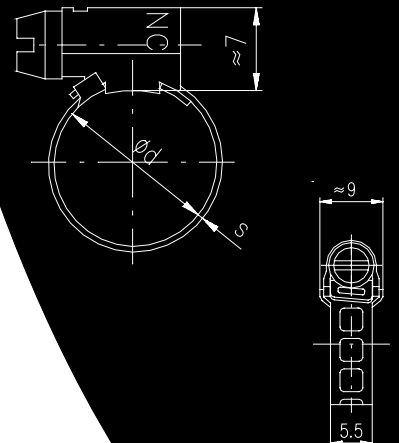
Micro W2: Screw and housing: Electro zinc plated and yellow chromated.
Band: Stainless steel AISI 430.

Micro W4: All parts in stainless steel AISI 304, available upon request.



Ø mm	Supplied	Min. Ø	Max. Ø	Rec tightening torque Nm
7-11	open*	7	11	0,3
9-14	open*	9	14	
10-19	open*	10	19	

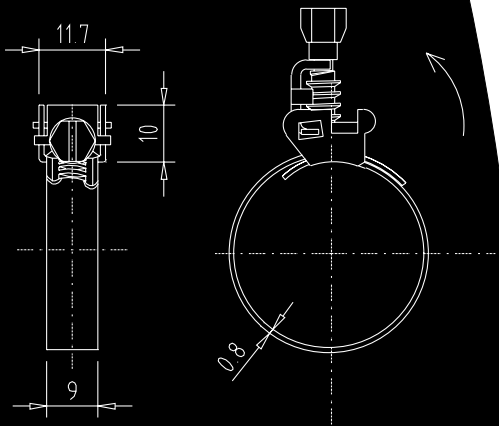
* Can be delivered closed upon request.



Serratub 2

Apart from having the unique quick-lock hinged housing, the Serratub 2 range of clamps is supplied in a solid band execution. The underside of the band is completely smooth to prevent hose damage and possible leakage. Band edges are rolled up and available in aluzinc and 9 mm band width. A very powerful clamp, easy to fit and with a high corrosion resistance.

Serratub 2: Screw and housing: Electro zinc plated and yellow chromated. Band: Aluzinc.



* For larger sizes please see Maxi 2
See Screwdriver on page 5.

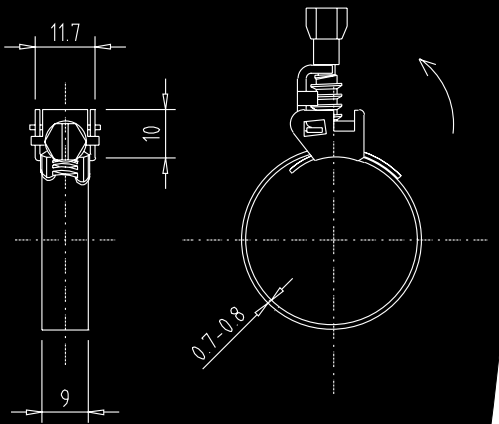
Band width 9 mm		
Ø mm	Rec tightening torque Nm	
10-16	3	
12-22		
16-27		
23-35		
30-45		
32-50	4	
40-60		
50-70		
60-80		
70-90		
80-100		
90-110*		

Serratub Maxi

The Maxi clamp is designed for quick-lock tightening of large diameter hoses and supplied in a solid or perforated band execution. The solid band is completely smooth to give the ideal contact surface to the hose. Available in 9 mm band width.

Maxi 1/W2B: Perforated band: AISI 430. Screw and housing: Electro zinc plated and yellow chromated.

Maxi 2: Solid band: Aluzinc. Screw and housing: Electro zinc plated and yellow chromated.



Band width 9 mm

Ø mm	Rec tightening torque Nm	
	Maxi 1	Maxi 2
50-110	3	4
50-130		
50-145		
50-165		
50-175		
50-215		
50-280		
50-325		
50-370		
50-425		
60-525		
70-625		

See Screwdriver on page 5.

Serratub CX

Solid band wormdrive clamp for general purpose with rolled-up band edges. Band width in 9 mm, galvanized or stainless execution.

Serratub CX/W1: Screw, housing and band: Electro zinc plated.

Serratub CX/W2: Screw: Electro zinc plated. Band and housing AISI 430.

Serratub CX/W4: All parts in AISI 304.

Serratub CX/W1

Band width 9 mm

Hose size	Supplied \emptyset	Minimum \emptyset	Rec tightening torque Nm
8-14	15	8	2-2.5
11-17	18	11	
13-20	21	13	
15-24	25	15	
19-28	29	19	
22-32	33	22	2.5-3
26-38	39	26	
32-44	45	32	
38-50	51	38	
44-56	57	44	
50-65	66	50	
58-75	76	58	
68-85	86	68	
77-95	96	77	
87-112 ¹	113	87	



Screwdriver 25 cm

¹ For larger sizes please see Maxi 2 on page 4.

Serratub CX/W2 and Serratub CX/W4

Band width 9 mm

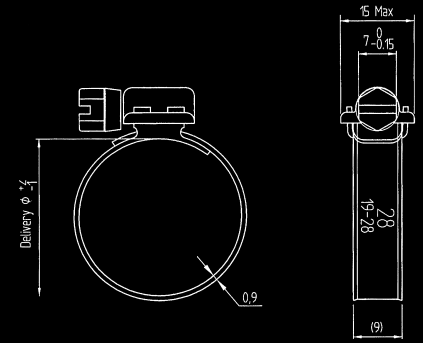
Hose size	Supplied \emptyset	Minimum \emptyset	Rec tightening torque Nm
8-12	13	8	2-2.5
10-16	17	10	
12-20	21	12	
16-25	26	16	
20-32	33	20	2.5-3
25-40	41	25	
32-50	51	32	
40-60	61	40	
50-70	71	50	
60-80	81	60	
70-90	91	70	
80-100*	101	80	

* For larger sizes please see Maxi 2 on page 4.

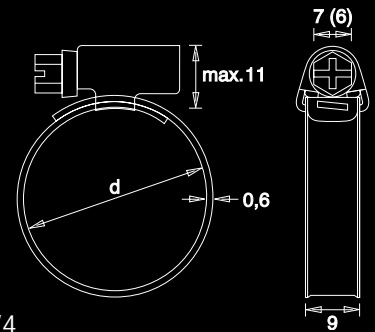
Serratub CX/W4

Band width 12 mm

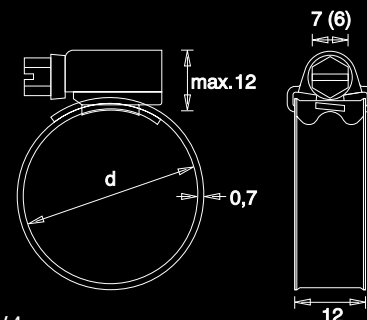
Hose size	Supplied \emptyset	Minimum \emptyset	Rec tightening torque Nm
16-25	26	16	5
20-32	33	20	
25-40	41	25	
32-50	51	32	
40-60	61	40	
50-70	71	40	
60-80	81	60	
70-90	91	70	
80-100	101	80	
90-110	111	90	
100-120	121	100	
110-130	131	110	
120-140	141	120	
130-150	151	130	
140-160	161	140	
150-170	171	150	
160-180	181	160	
170-190	191	170	
180-200	201	180	
190-210	211	190	



W1



W2/ W4



W4



Mini

Standard and Stainless SS 2333/AISI 304



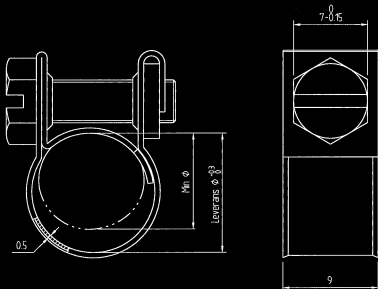
Mini features rolled-up band edges that are gentle on hoses. The band tongue that fits under the hose is profiled for added strength. The nut remains in the lug even if the screw is removed. The Mini is particularly suitable for use on small, thin-walled hoses.

Mini Standard: Electro zinc plated.

Mini Stainless: All parts made of SS 2333/AISI 304 stainless steel.

Size	Supplied Ø	Minimum Ø	Screw M4 x	Rec tightening torque Nm
MINI 8	8.3	6	13	1.5
MINI 9	9.3	7		
MINI 10	10.3	8		
MINI 11	11.3	9		
MINI 12	12.3	9	16	
MINI 13	13.3	10		
MINI 14	14.3	11		
MINI 15	15.3	12		
MINI 16	16.3	13		
MINI 17	17.3	14		

See Screwdriver on page 5.

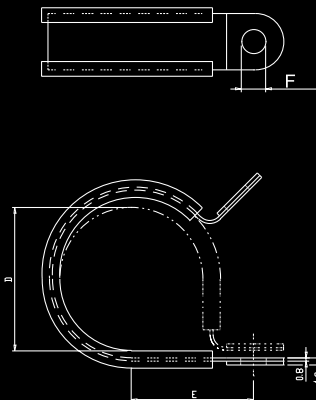


Rubber Lined Clips - DIN 3016

Designed for reliable, vibration-damping suspension of pipes, cables, cable circuits and hoses etc. It consists of bent strip steel sections with rubber flanges which absorb jolts, vibrations and reduce wear on cables and hoses. One of the fastening holes is oval to facilitate fitting and adjustment.

Rubber clips are used in many different contexts: in the automotive industry, in machine construction, in hydraulic and pneumatic applications, in process industries, in shipbuilding, in refrigeration etc. The fastening holes are reinforced with washers to protect the band from breaking.

Standard DIN Band: Hot-dip galvanized steel. Rubber flange: EPDM for high resistance to water, wear, temperature fluctuations and ageing.



Band width 12 mm
Ø mm

D±0.4	E +1 -0.2
5	10.5
8	12
10	13
12	14
15	15.5
18	17
20	18
25	20.5

F= Ø 6,4 mm

Band width 15 mm
Ø mm

D±0.4	E +1 -0.2
5	13.7
8	15.2
10	16.2
12	17.2
15	18.7
18	20.2
20	21.2
22	22.2
25	23.7
28	25.2
30	26.2
32	27.2
35	28.7
38	30.2
40	31.2

F= Ø 6,4 mm

Band width 20 mm
Ø mm

D±0.4	E +1 -0.2
10	19.5
12	20.5
15	22
18	23.5
20	24.5
22	25.5
25	27
28	28.5
30	29.5
32	30.5
35	32
38	33.5
40	34.5
42	35.5
45	37
48	38.5
50	39.5

F= Ø 8,4 mm

Band width 25 mm
Ø mm

D±0.4	E +1 -0.2
20	27.5
22	28.5
25	30
28	31.5
30	32.5
32	33.5
35	35
38	36.5
40	37.5
42	38.5
45	40
48	41.5
50	42.5
52	43.5
55	45
56	45.5
58*	46.5

F= Ø 10,5 mm

* Larger sizes on request.

Ear Clip

The Ear Clip is a simple and an inexpensive option. It fits easily: simply slide the clip into position and crimp with ear clip pliers.

Ear Clip: Electro zinc plated steel with yellow chrome finish or stainless steel AISI 304.



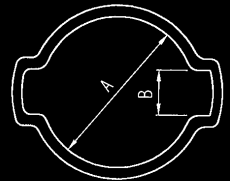
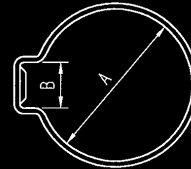
Ear Clip pliers

1. Ear Clip

Hose size	A	B	C
9-11*	11.3	6.5	6.5
10-12*	12.3	7.0	6.5
11-13*	13.3	7.5	6.5
12-14*	14.3	8.0	7.0
14-16*	16.3	8.5	7.0
15-17*	18.5	9.5	7.0

2. Ear Clip

Hose size	A	B	C
5-7*	7.3	4.3	6.0
7-9*	9.3	4.8	6.0
9-11*	11.3	5.3	6.5
11-13*	13.3	5.8	6.5
13-15*	15.3	6.3	7.0
14-17*	17.5	6.6	7.0
15-18*	18.5	7.0	7.5
17-20*	20.5	7.6	7.5
18-21*	21.5	7.9	8.0
20-23*	23.5	8.5	8.0
22-25*	25.5	9.1	8.5
23-27	27.5	9.4	8.5
25-28	28.5	10.0	9.0
28-31	31.5	10.6	9.0
31-34	34.5	11.0	9.5
34-37	37.5	11.5	9.5
37-40	40.5	12.0	10.0



*= AISI 304 type available.

Robust

Standard and Acid Resistant SS 2343/AISI 316

Robust is a heavy-duty clamp with rolled-up band edges. It is used primarily in agricultural applications for tightening heavy-gauge reinforced hoses used for irrigation, drainage, sludge pumping etc. The hexagonal head design allows tightening with an ordinary spanner or socket wrench.

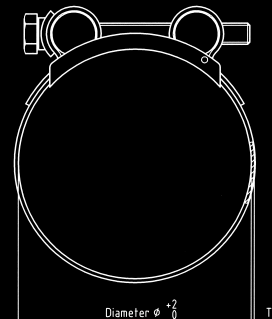
Standard

Ø mm	A	T	Screw
17-19*	18	0.6	M5x45
20-22*			
23-25	20	0.8	M6x45
26-28			
29-31			
32-35			
36-39			M6x50
40-43			
44-47	23	1.2	M8x60
48-51			
52-55			M8x55
56-59			
60-63			
64-67			M8x70
68-73			
74-79			
80-85			
86-91			
92-97			
98-103			
104-112			
113-121			
122-130			M8x80
131-139			
140-148			
149-161			
162-174			
175-187	30	1.7	M10x90
188-200			
201-213			M10x100
214-226			
227-239			
240-252			

Acid resistant

Ø mm	A	T	Screw
17-19**	18	0.6	M5x35
20-22**			
23-25**			
26-28**			
29-31**			
32-35	20	1.0	M6x50
36-39			
40-43			
44-47			
48-51			
52-55			
56-59			M6x55
60-63			
64-67	25		M8x70
68-73			
74-79			
80-85		1.2	
86-91			
92-97			
98-103			
104-112			M8x80
113-121			
122-130			
131-139			
140-148			
149-161			
162-174			
175-187			
188-200			
201-213			
214-226			
227-239			
240-252			

*Yellow chrome finish.
**Screw material M5.
Zink plated Navy Brass.



Robust Standard:

All parts are made of high grade carbon steel and are individually electro zinc plated before assembly.

Robust Acid Resistant:

All parts are made of SS 2343/ AISI 316 stainless steel.

Serratub KIT

An instant solution for clamping. KIT offers you the immediate possibility to make your own clamp from KIT components. Ideal for service & maintenance. Each KIT is supplied in a dispenser box containing a full length of band and a number of the unique quick-lock housings with screw. The band is perforated, flexible and in stainless steel. Available in 9 or 12 mm band widths.

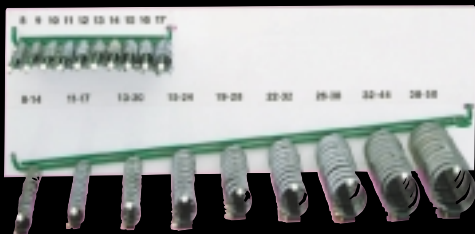
KIT/W2B: Screw and housing: Electro zinc plated and yellow chromated.
Band: AISI 430.



Band width	Description	
9 mm	KIT 3 meters	8 quick-lock housings
12 mm	KIT 3 meters	6 quick-lock housings
9 mm	KIT 5 meters	8 quick-lock housings
12 mm	KIT 5 meters	6 quick-lock housings
9 mm	Bandbox	25 meters
12 mm	Bandbox	25 meters
9 mm	Quick-lock housing box	100 pcs
12 mm	Quick-lock housing box	100 pcs

See drawing Serratub 1.
See Screwdriver on page 5.

Assortement 190



Serratub CX/W 1

Ø mm	Quantity
8 - 14/9	10
11 - 17/9	10
13 - 20/9	10
15 - 24/9	10
19 - 28/9	10
22 - 32/9	10
26 - 38/9	10
32 - 44/9	10
38 - 50/9	10

MINI: 100 pcs +
Total clamps: 190 pcs

Serratub M/W 1

Ø mm	Quantity
10 - 16/9	10
12 - 22/9	10
16 - 27/9	10
23 - 35/9	10
30 - 45/9	10
23 - 35/12	10
30 - 45/12	10
32 - 50/12	10
40 - 60/12	10

MINI: 100 pcs +
Total clamps: 190 pcs

Exhaust Pipe Clamp

The Exhaust Pipe Clamp was originally designed in collaboration with the automotive industry to provide a high and even tightening force around the entire pipe, minimize leakage and be vibration-proof. The wide range of standard clamps covers most vehicles.

Self-locking screw is standard on 2.0 and 2.5 gauge clamps and facilitates quick and easy tightening with one hand. (1.5 and 3 mm gauge clamps will be supplied with hexagonal screws).

*=1,5 mm

Class	D1	D2
R27-1.5	27	24
R30-1.5	30	27
R33-1.5	33	30

*=2,0 mm

Class	D1	D2
R36-2.0	36	33
R39.5-2.0	39.5	36.5
R42-2.0	42	39
R49.5-2.0	49.5	46.5
R51-2.0	51	48
R54.1-2.0	54.1	51.1
R59.1-2.0	59.1	56.1

*=2,5 mm

Class	D1	D2
R43.5-2.5	43.5	40.5
R45-2.5	45	42
R46-2.5	46	43
R47-2.5	47	44
R48-2.5	48	45
R49-2.5	49	46
R51-2.5	51	48
R52-2.5	52	49
R54-2.5	54	51
R55-2.5	55	52
R56-2.5	56	53
R58-2.5	58	55
R61-2.5	61	58
R64-2.5	64	61

*=3,0 mm

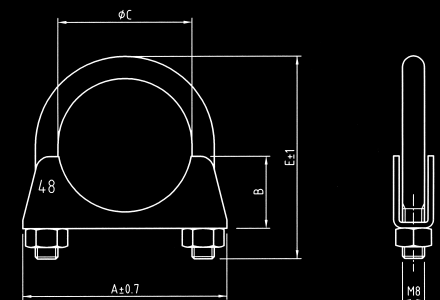
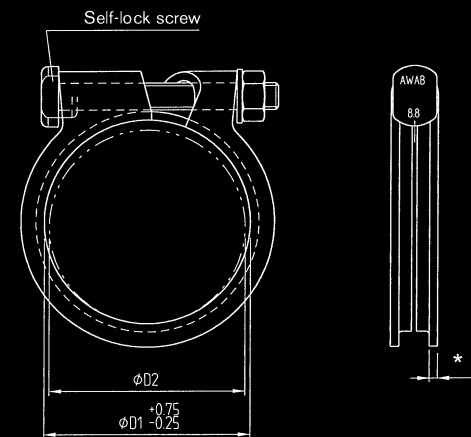
Class	D1	D2	Screw
R71-3.0	71	67	M10
R74-3.0	74	70	
R94-3.0	94	90	
R96-3.0	96	91	
R107-3.0	107	103	M12
R114-3.0	114	109	
R120-3.0	120	115	
R147-3.0	147	142	M12

*Material thickness.

Pipe Clamp

Our standard M8 pipe clamps are suitable for use with a wide range of pipe diameters. Pipe clamps are not used only in exhaust systems. Other applications include TV aerials, road signs etc. M 10 pipe clamps are available to order. Material: Electro zinc plated steel.

Ø mm	A±0.7	B	C	E±1
25	50	16	25	52
28	53	17.5	28	54
32	57	19	32	60
35	60	20	35	63
38	63	22	38	65
42	67	23.5	42	69
45	70	25.5	45	71
48	73	26	48	73
51	76	26.5	51	76
54	79	28	54	79
57	82.5	29	57	83



Serratub 1

STAINLESS	Range:	Remark: For larger sizes see Maxi 1.
SS2320	Ø 9 - 97 mm, band width 9 mm.	
AISI 430	Ø 14 - 325 mm, band width 12 mm.	For industrial use.
DIN 1.4016 W2B		

Serratub KIT

STAINLESS	Range:	Maintenance and do-it-yourself.
SS2320	Ø No limits mm, band width 9 and 12 mm.	
AISI 430		
DIN 1.4016 W2B		

Serratub M, W1

STANDARD	Range:	Garden and general purpose.
	Ø 8 - 150 mm, band width 9 mm.	
	Ø 16 - 200 mm, band width 12 mm.	

Serratub 2

ALUZINC	Range:	Automotive and industrial use.
	Ø 10 - 110 mm, band width 9 mm.	
	For larger sizes see Maxi 2.	

Serratub MAXI 1

STAINLESS	Range:	Perforated band.
SS2320	Ø 50 - 625 mm, band width 9 mm.	Air-condition and ventilation.
AISI 430		
DIN 1.4016 W2B		

Serratub MAXI 2

ALUZINC	Range:	Solid band.
	Ø 50 - 625 mm, band width 9 mm.	Air-condition and ventilation.

Serratub CX, W1

ALUZINC	Range:	General purposes.
	Ø 8 - 112 mm, band width 9 mm.	
	Solid band.	

Serratub CX, W2/W4

STAINLESS	Range:	Automotive, marine and industrial use.
SS2320	Ø 8 - 100 mm, band width 9 mm.	
AISI 430		
DIN 1.4016 (W2)		
AISI 304		
DIN 1.4301 (W4)		

Serratub CX, W4

STAINLESS	Range:	Remark: Corrosion resistance in salt spray testing: > 1000 h.
SS2333	Ø 16 - 210 mm, band width 12 mm.	Marine sector.
AISI 304		
DIN 1.4301 W4		

Serratub C

STAINLESS
SS2333
AISI 304
DIN 1.4301 W4

Range: Ø 80 - 500 mm.
Remark: V-profiled clamps for
assembly of flanged tubes.

Building and
chimney pipes.



Ear Clip

STANDARD

Range: Ø 5 - 40 mm.
Remark: Easy to mount.
Inexpensive.

General purposes.



Exhaust Pipe Clamp

STANDARD

Range: Ø 27 - 147 mm.
Remark: Uniformed tightening
around the exhaust tubes gives
a good sealing.



Micro

STANDARD, W2
AISI 304
DIN 1.4301, W4

Range:
Ø 7 - 19 mm, band width 5 mm.

For small hoses.



Mini

STANDARD, W1
DIN 1.4301 W4

Range: Ø 8 - 17 mm.
Remark: Sure seal of small thin-
walled hoses. Fixed nut.

Automotive and
industrial use.



Pipe Clamp

STANDARD

Range: Ø 25 - 57 mm.
Remark: Fixing of exhaust
tubes, signs etc.



Robust

STANDARD, W1
DIN 1.4436 W5

Range: Ø 17 - 252 mm, band
width 18 - 30 mm.
Remark: High tightening force.

Agriculture and high
pressure hoses.



Rubber Lined Clips

STANDARD, W1
DIN 3016

Range: Ø 5 - 58 mm, band
widths 12/ 15/ 20/ 25 mm.
Remark: Reduce hose and
cable wear due to vibrations.

Automotive and fastening.





ISO 14001 Sweden



ISO 9002 Italy



ISO 9001 Sweden

**Headoffice & Marketing Department
ABA Group**

ABA of Sweden AB
Scheelegatan 28
112 28 STOCKHOLM
Sweden
Phone. +46 8 654 14 00
Fax. +46 8 653 34 10

**Sales Office
Production Unit
Technical Centre**

ABA of Sweden AB
Box 100
334 22 ANDERSTORP
Sweden
Phone. +46 371 58 88 00
Fax. +46 371 58 88 01

**Sales Office
Production Unit**

ABA of Holland B.V.
Mercuriusweg 7
9561 AL TER APEL
Holland
Phone. +31 5995 819 19
Fax. +31 5995 843 84

**Sales Office
Production Unit**

ABA of Belgium S.A.
Boulevard du Textile 13
7700 MOUSCRON
Belgium
Phone. +32 56 85 79 79
Fax. +32 56 34 68 36

**Consultants in
System Design
Product Development**

TeknikPartner AB
Linnégatan 9
413 04 GÖTEBORG
Sweden
Phone. +46 31 42 14 10
Fax. +46 31 42 14 15

Scheelegatan 28
112 28 STOCKHOLM
Sweden
Phone. +46 8 654 14 00
Fax. +46 8 653 34 10

**Sales Office
Production Unit**

ABA Polska Sp. z. o.o.
80-297 BANINO 111A
Poland
Phone/Fax. +48 58 681 8901
Phone/Fax. +48 58 681 8902

Sales Office

ABA Polska Sp. z. o.o.
Branch Office Wieliczka
ul. Grabówki 111
32-020 WIELICZKA
Poland
Phone/Fax +48 12 278 30 47
Phone/Fax +48 12 278 65 04

**Sales Office
Production Unit**

ABA of America Inc
1445 Huntwood Drive
Cherry Valley
IL 61016-9560
USA
Phone. +1 815/332-5170
Fax. +1 815/332-9090

**Sales Office
Production Unit**

Serratub S.p.A.
Via Dossello, 14
25089 VILLANUOVA sul Clisi (BS)
Italy
Phone. +39 0365 311 41
Fax. +39 0365 37 34 20

**Sales Office
Production Unit**

Terry of Redditch Ltd
Oxleasow Road,
East Moons Moat
REDDITCH
Worcestershire B98 ORE
England
Phone. +44 1527 517100
Fax. +44 1527 517300

Sales Office

ABA Well Grow Ltd
– Hong Kong
1008 Hing Wai Centre
7 Tin Wan Praya Road
ABERDEEN
Hong Kong
Phone. +852-2553 8300
Fax. +852-2553 7300

ABA Alliances

Hah Seng Trading Ltd Part. – Thailand
Kuriyama Corp. – Japan

Distributed by: